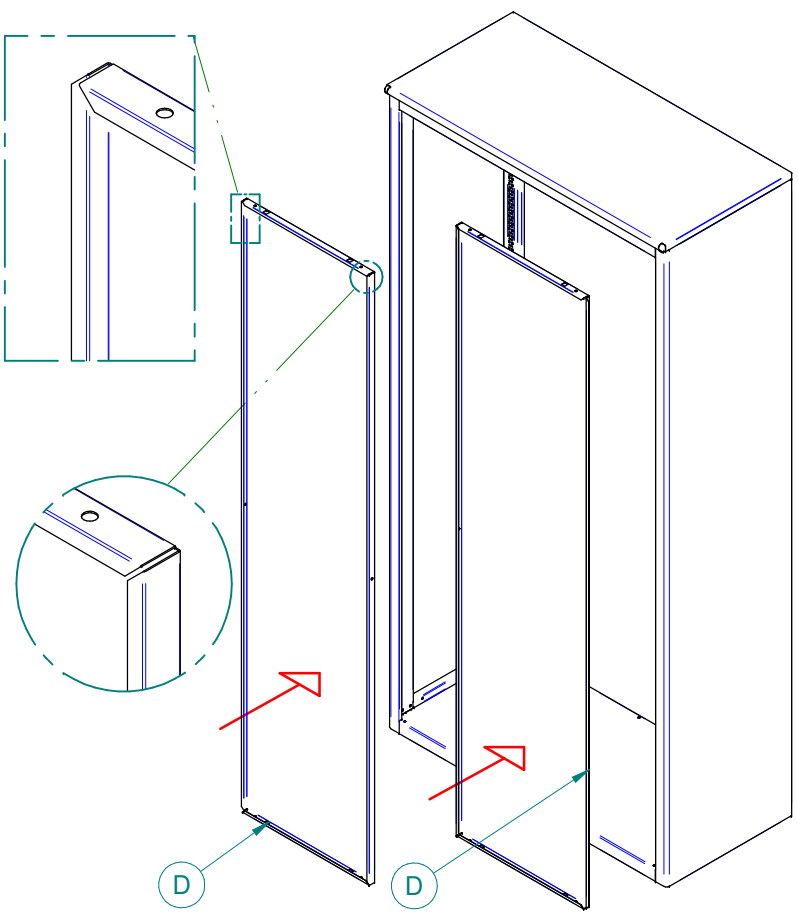


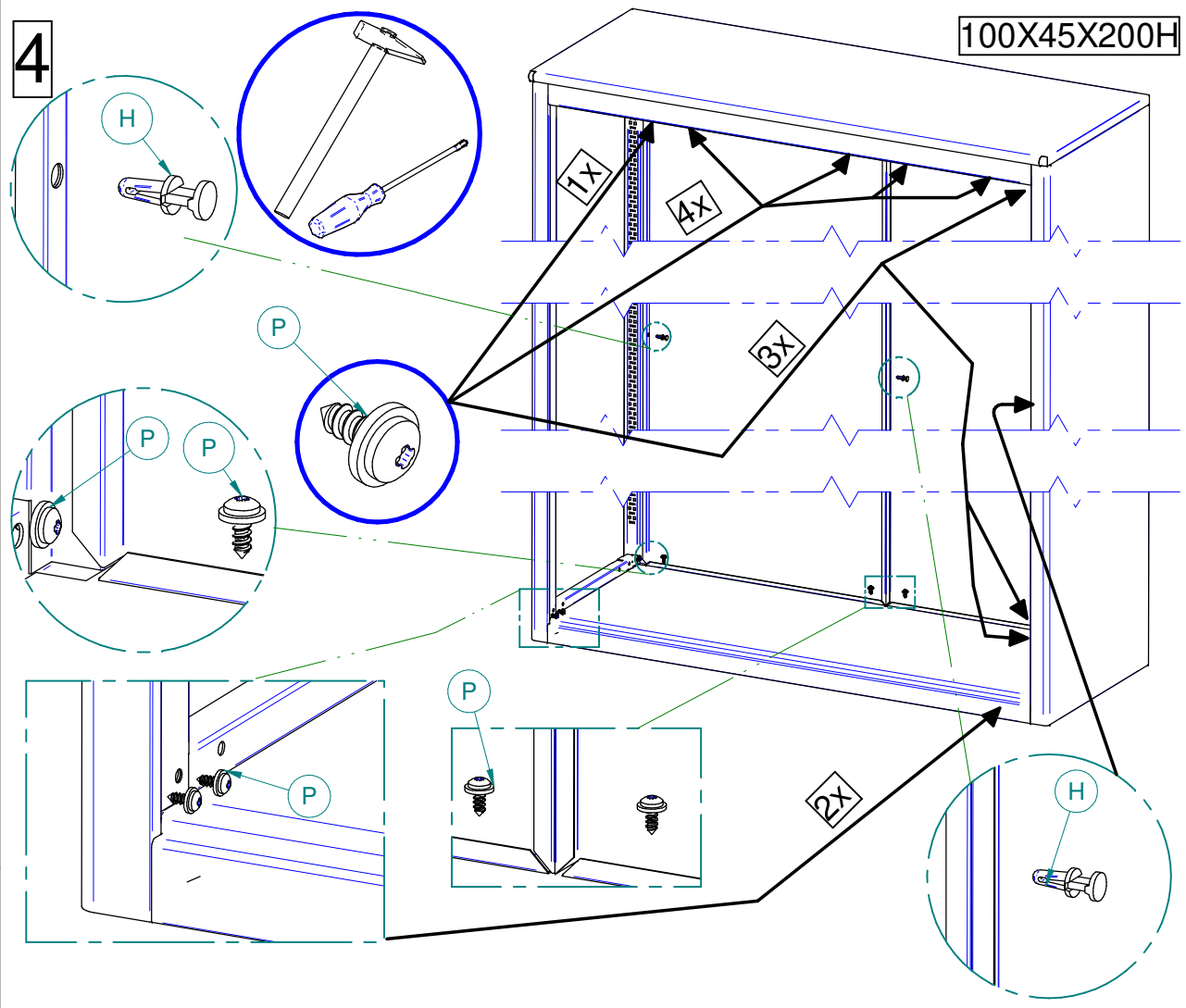
MOD.	H	I	L	M	N	O	P
100x45x200H	3	4	4	16	1	2	20
100x45x150H	3	4	4	12	1	2	20
100x45x116H	0	4	4	8	1	2	20
100x45x85H	0	4	4	4	1	2	20
100x45x75H	0	4	4	4	1	2	20
100x45x65H	0	4	4	0	1	2	20

100X45X200H

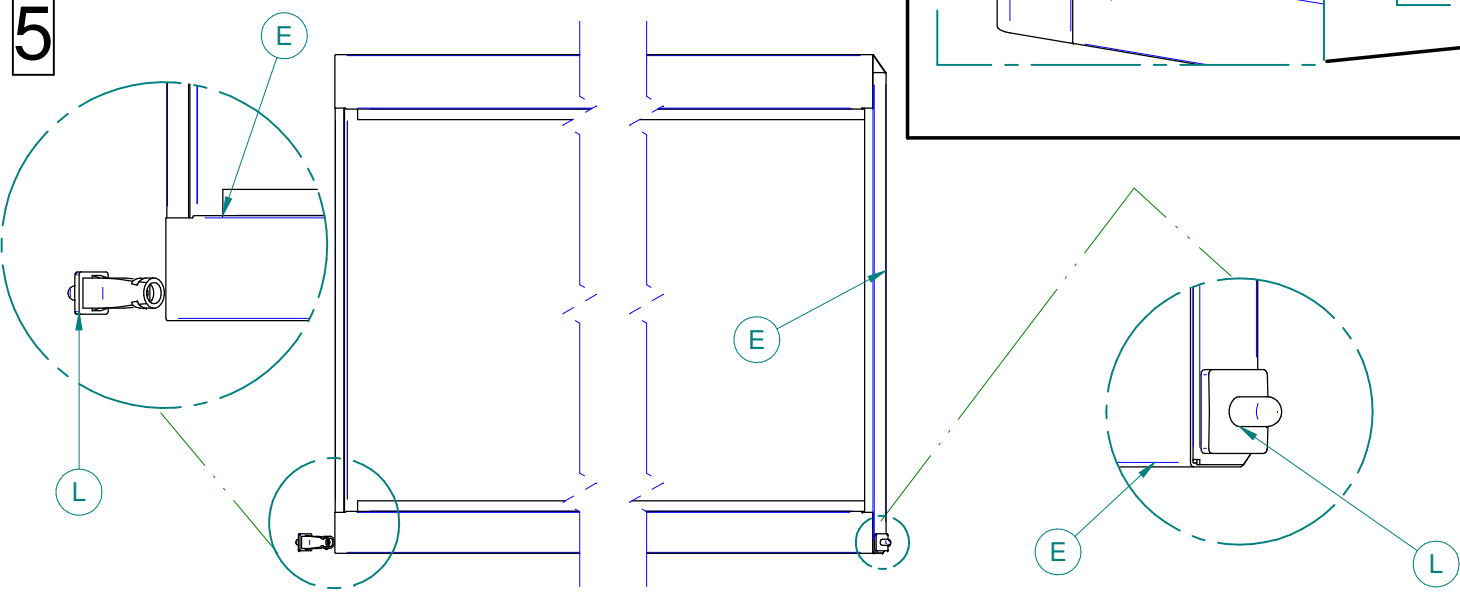
3



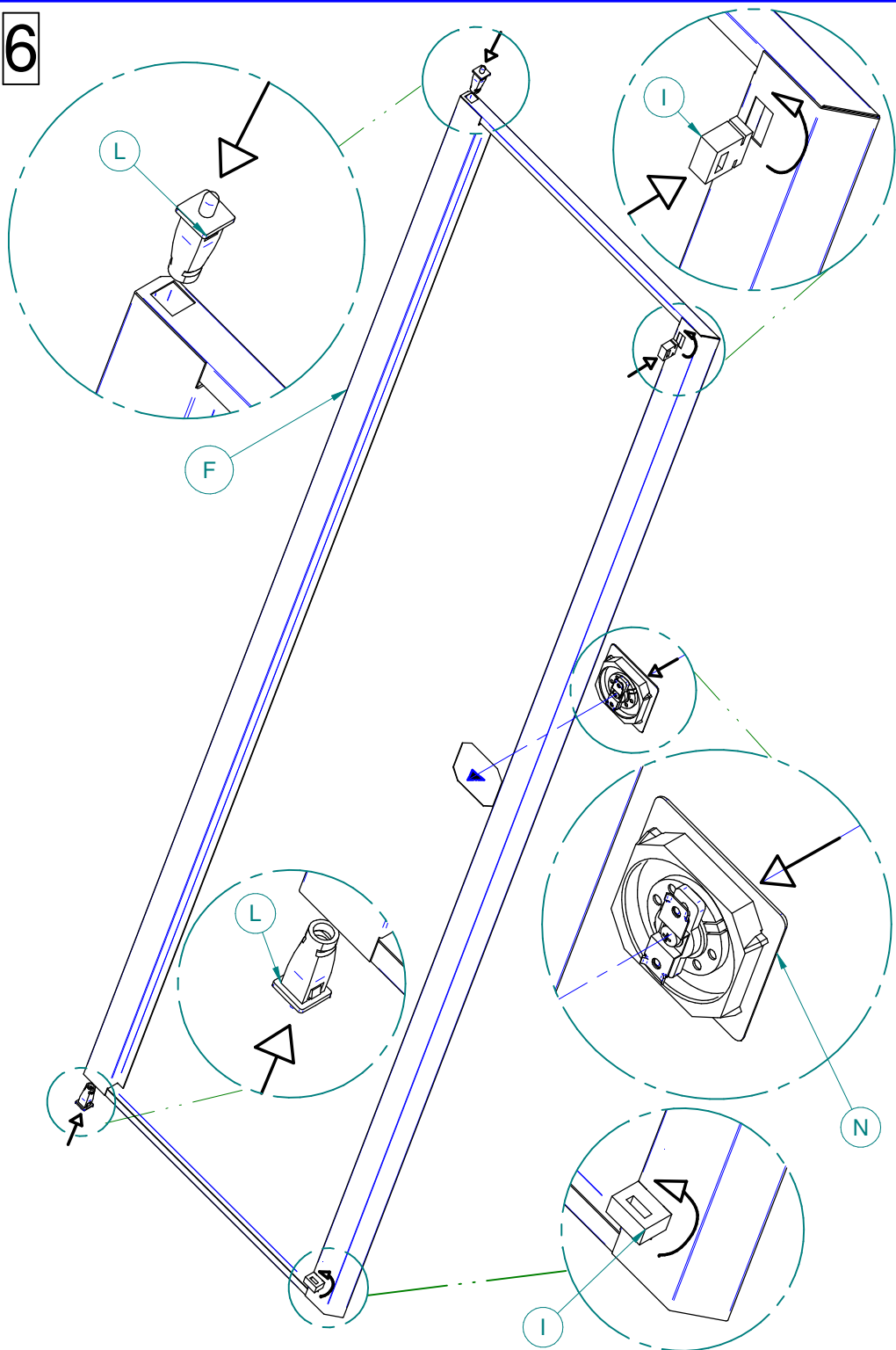
4



5



6



7

