

C56

056000201
056000202
056000203

A) DADO M8
(NUT M8)
(46 PCS)



B) VITE M8x80
(SCREW M8x80)
(2 PCS)



C) VITE M8x55
(SCREW M8x55)
(2 PCS)



D) VITE M8x40
(SCREW M8x40)
(8 PCS)



E) VITE M8x80
(SCREW M8x80)
(10 PCS)

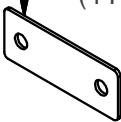


F) VITE M8x55
(SCREW M8x55)
(24 PCS)

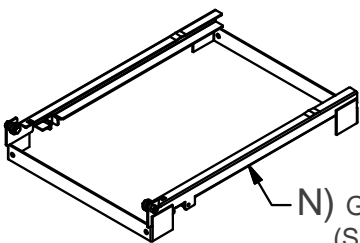
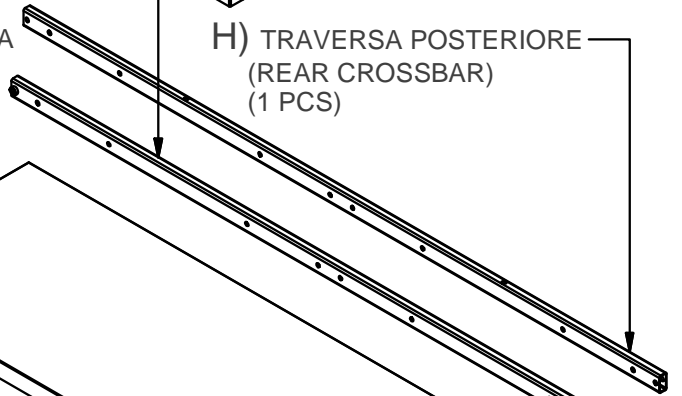


L) TRAVERSA ANTERIORE
(FRONT CROSSBAR)
(1 PCS)

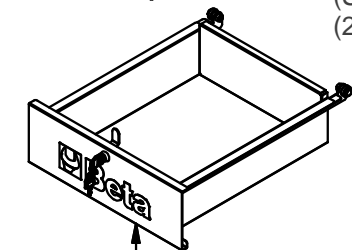
G) PIASTRINA
(PLATE)
(4 PCS)



H) TRAVERSA POSTERIORE
(REAR CROSSBAR)
(1 PCS)

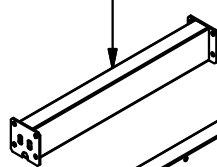


N) GUIDE
(SLIDES)
(2 PCS)

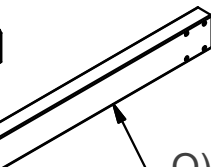


M) CASSETTO
(DRAWER)
(2 PCS)

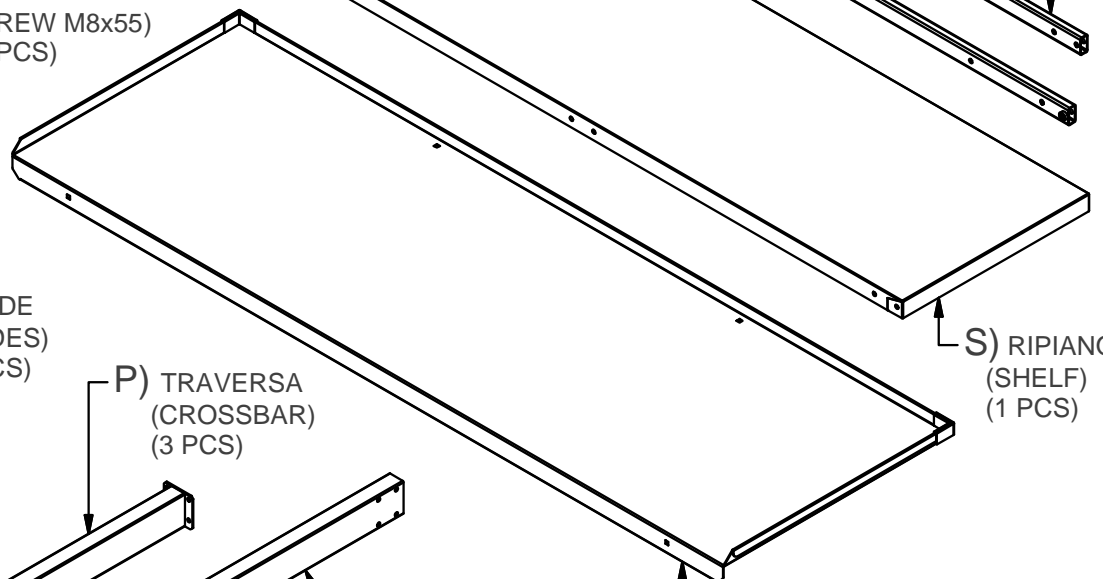
P) TRAVERSA
(CROSSBAR)
(3 PCS)



Q) GAMBA
(LEG)
(6 PCS)

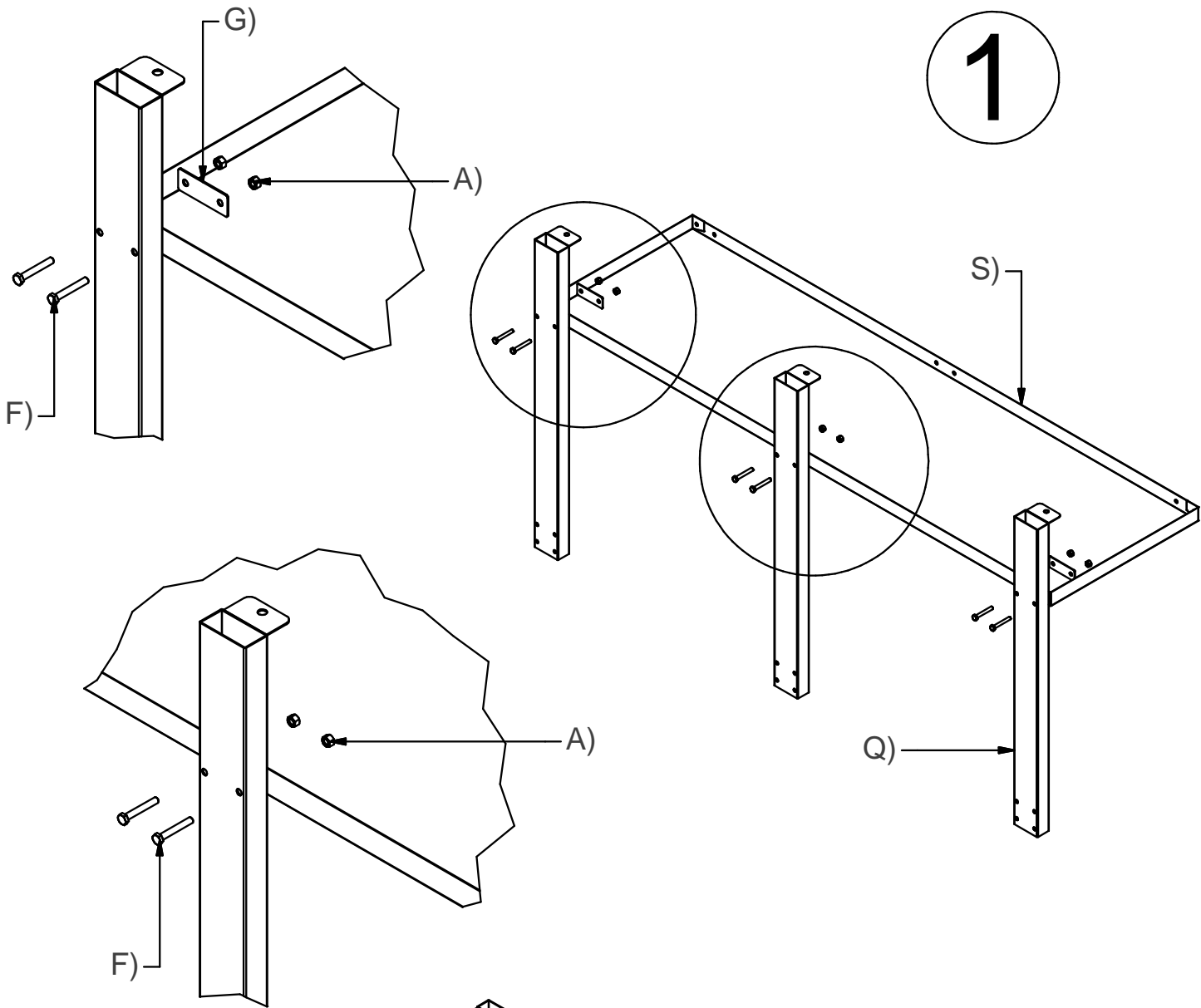


S) RIPIANO
(SHELF)
(1 PCS)

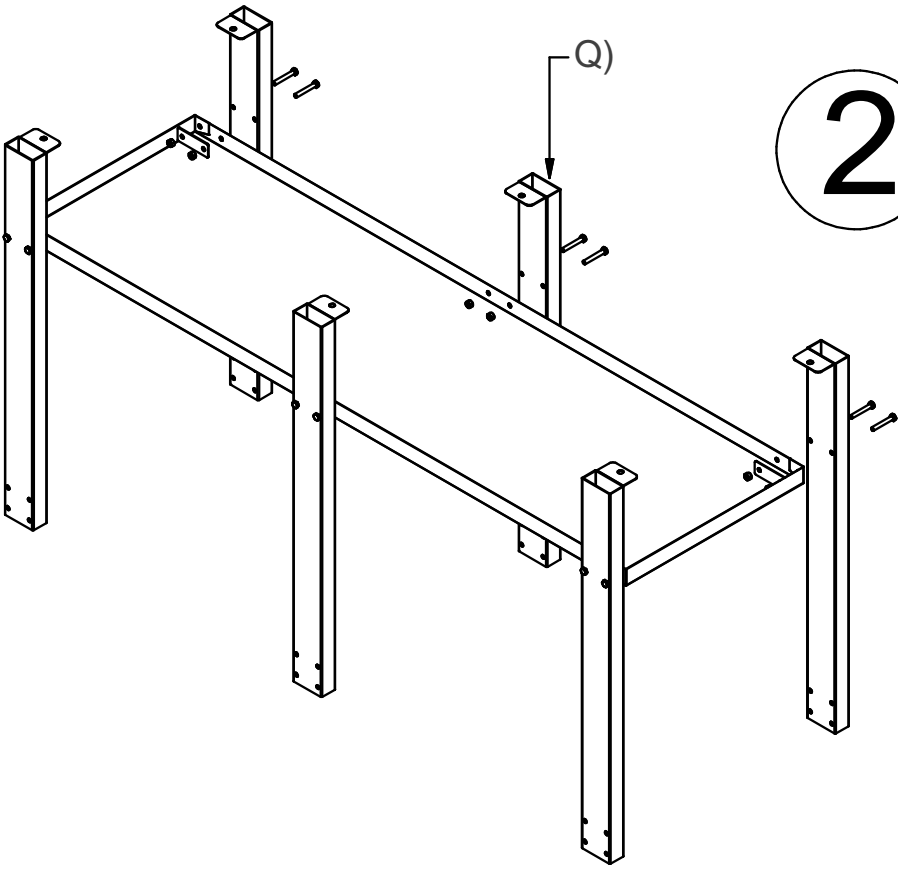


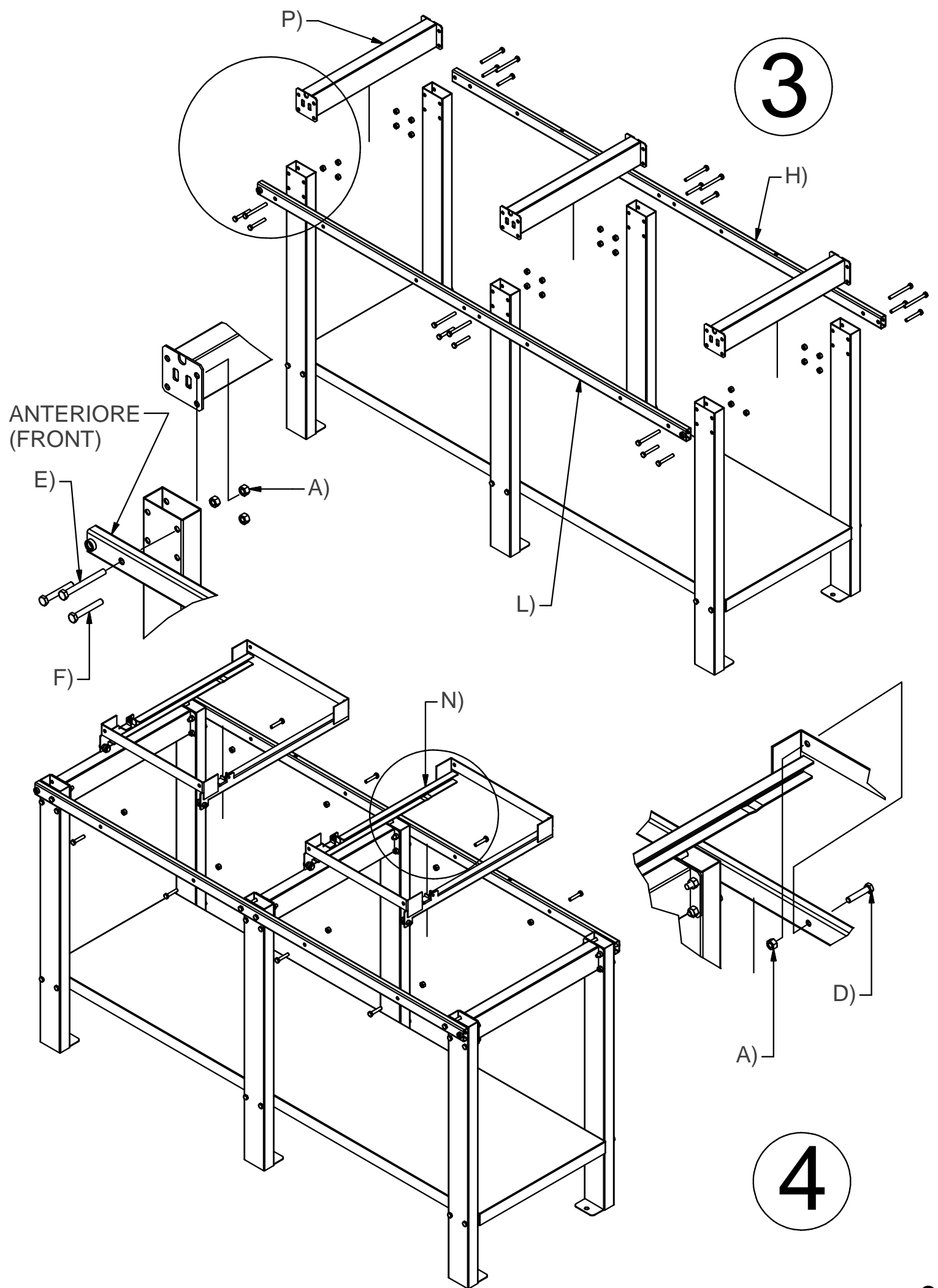
R) PIANO DI LAVORO
(WORKTOP)
(1 PCS)

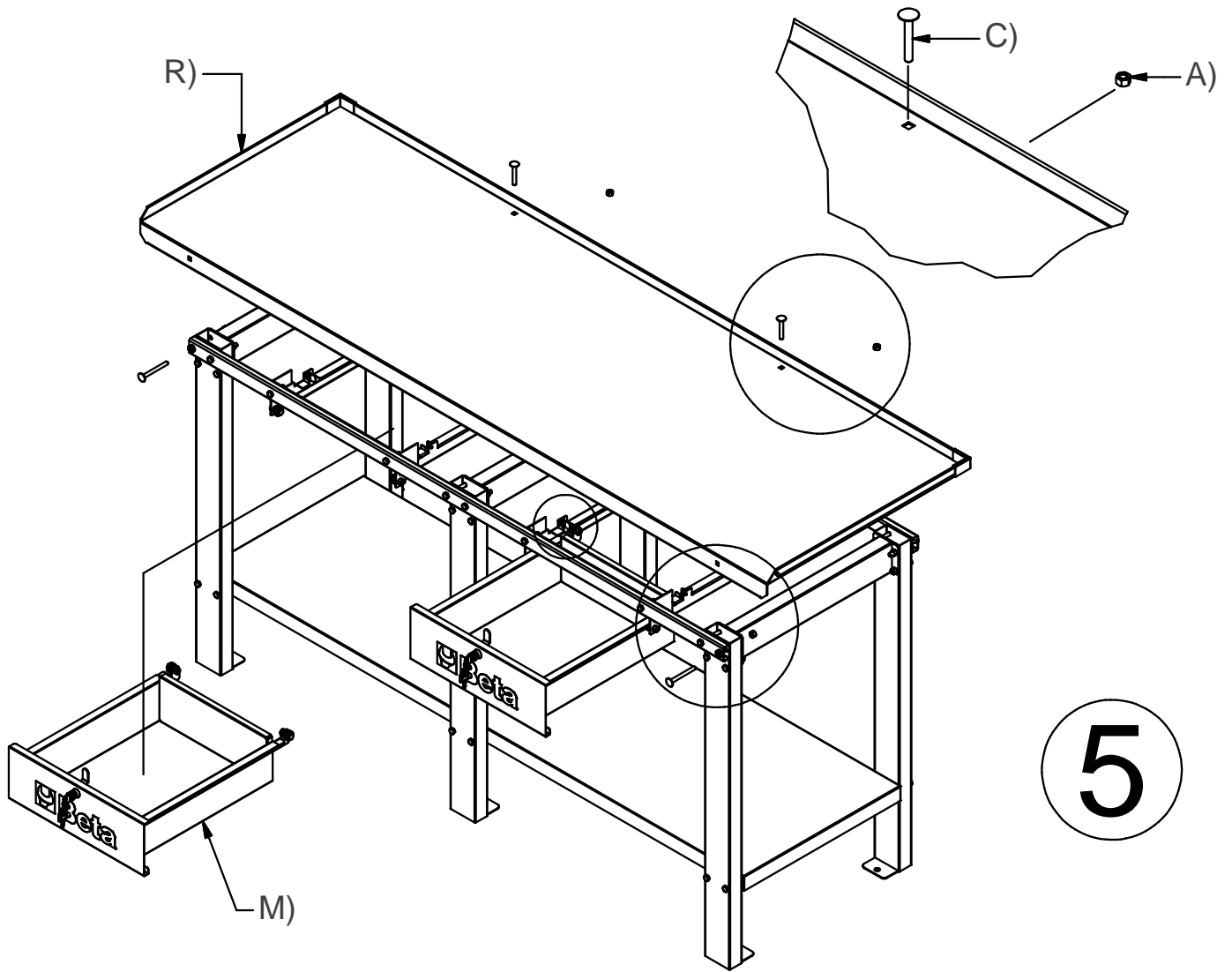
1



2







5

